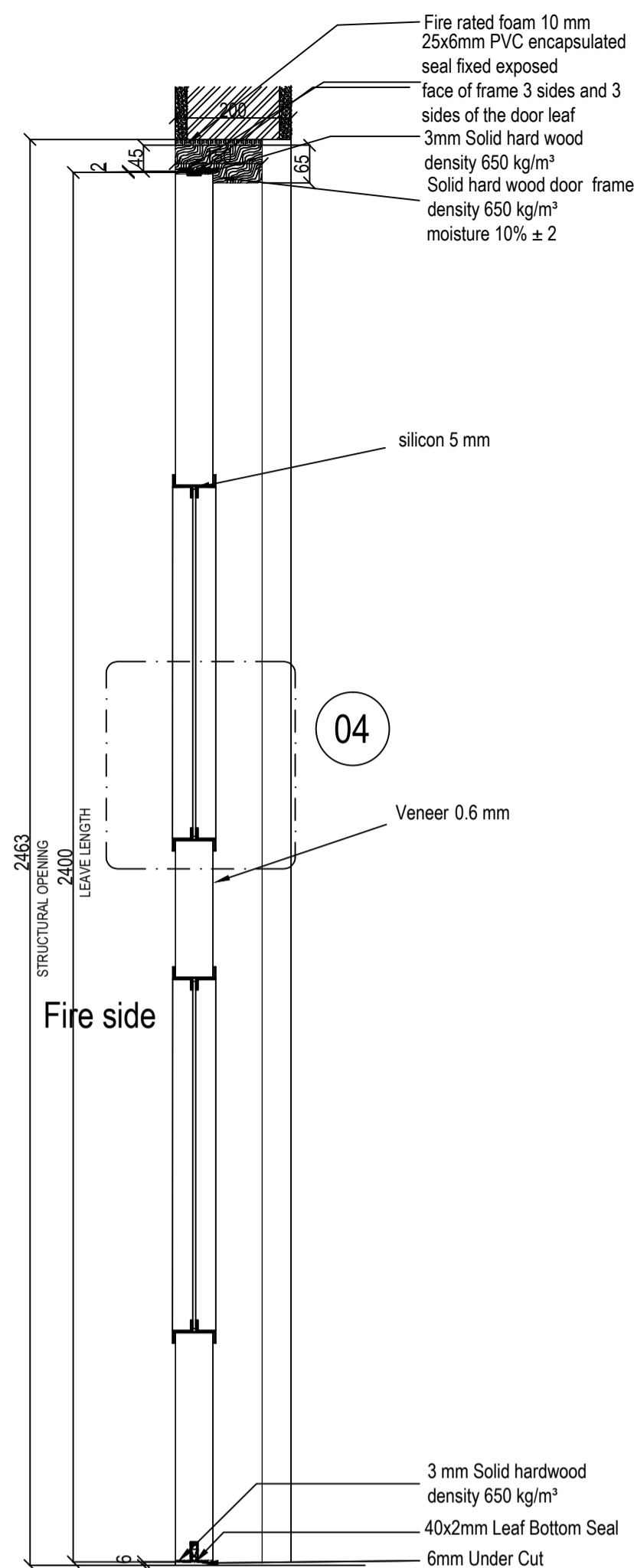
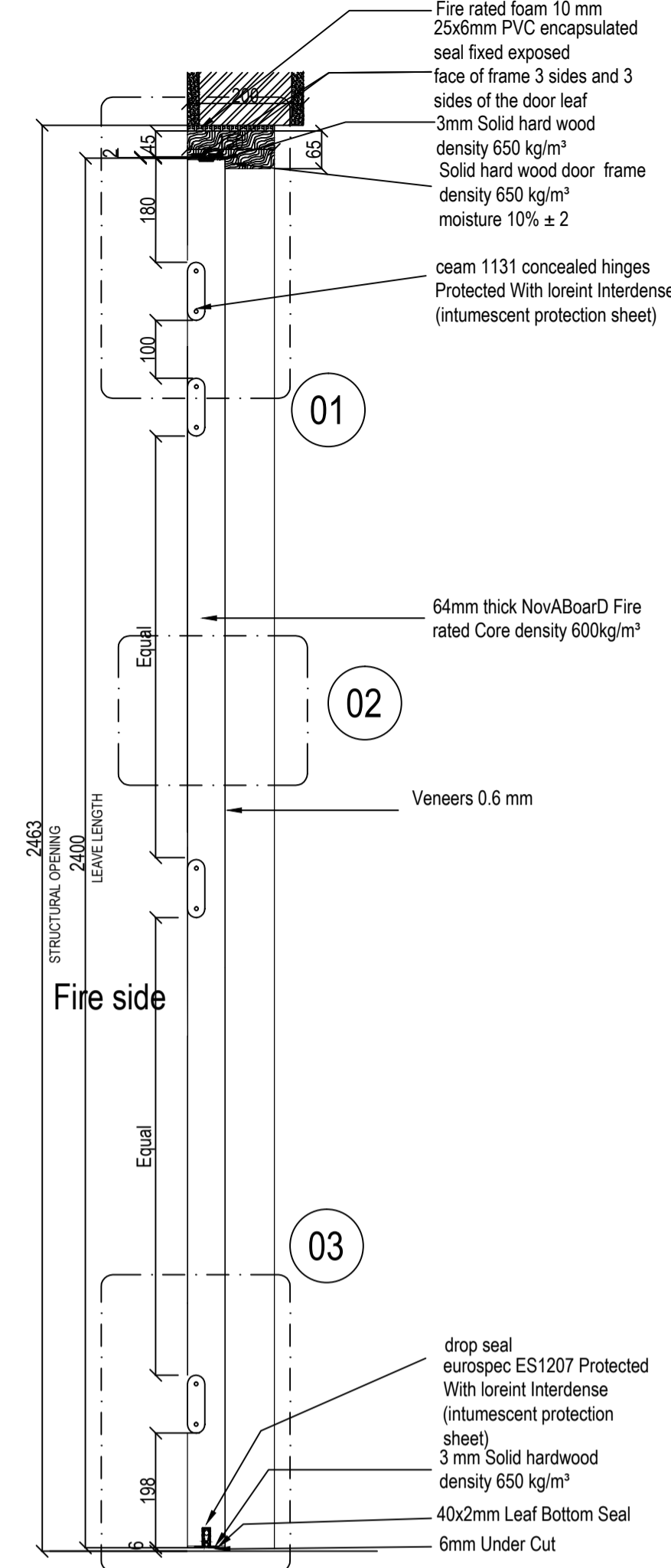


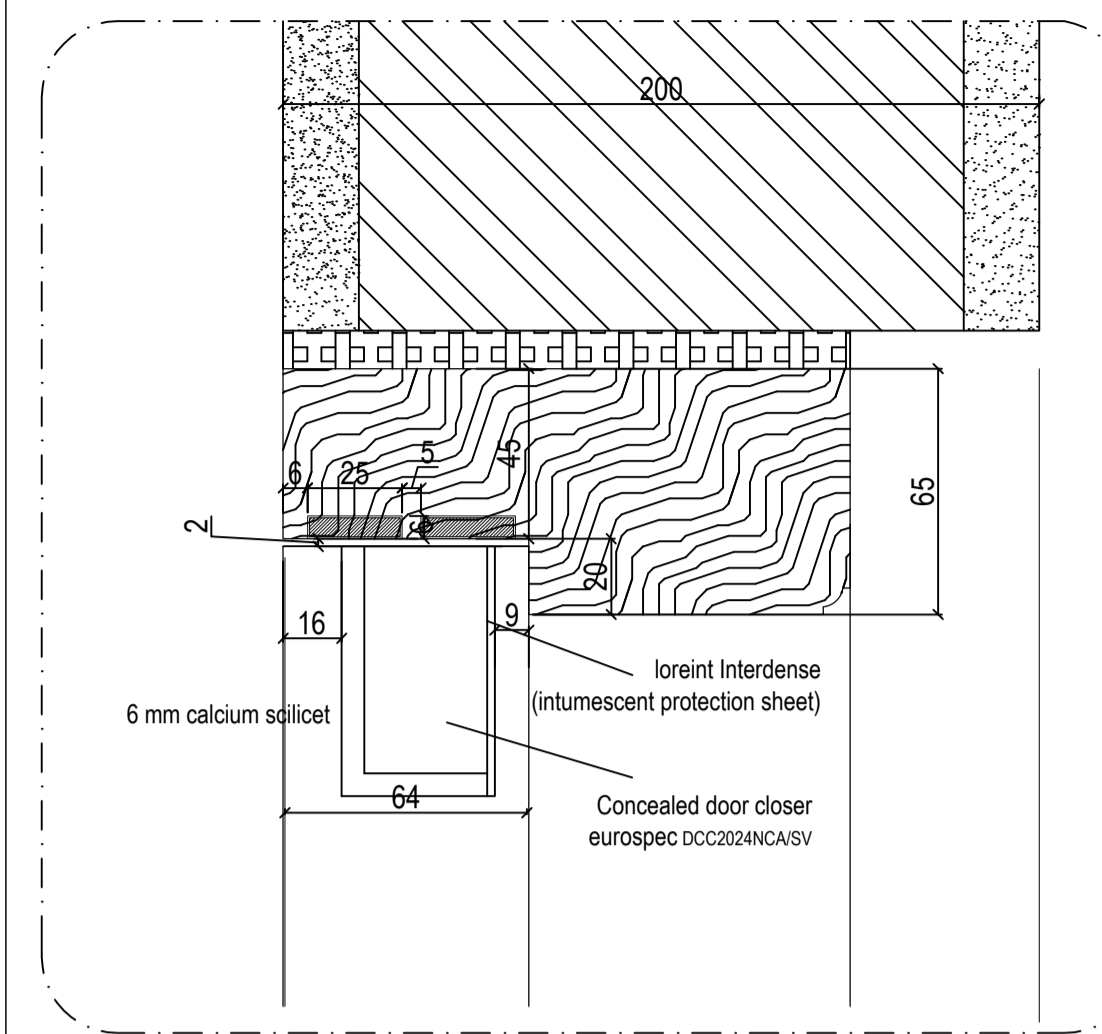
A Elevation
1:10 @ A1
Door Detail (NovABoarD FD 90 Mins)



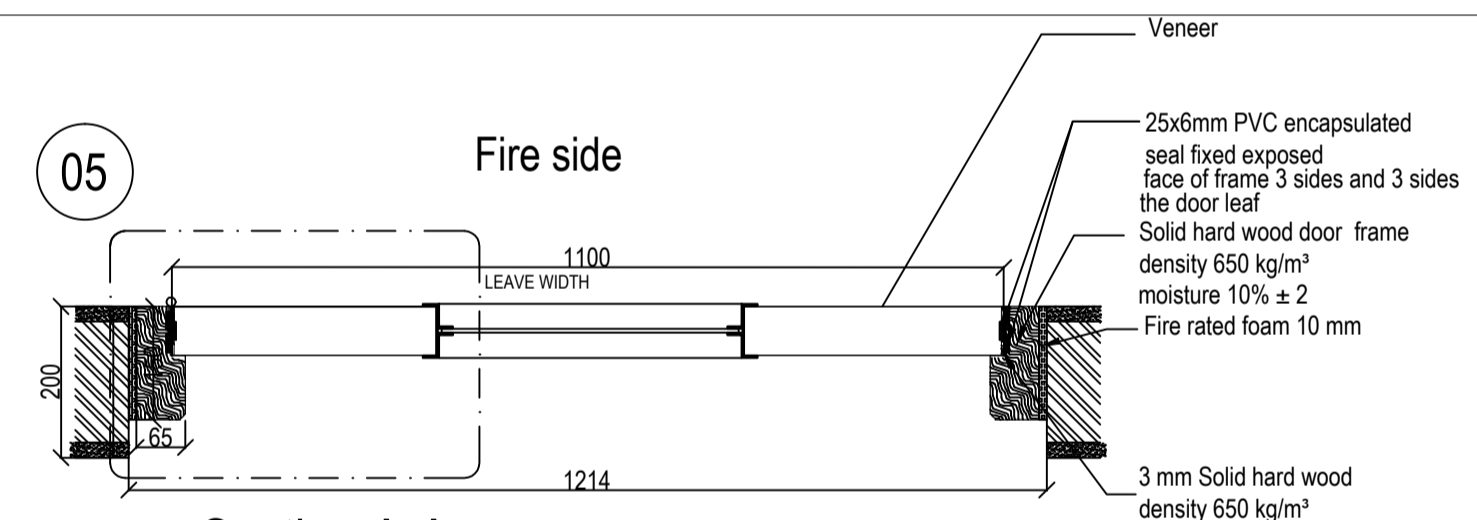
Section C-C
1:10 @ A1
Door Detail (NovABoarD FD 90 Mins)



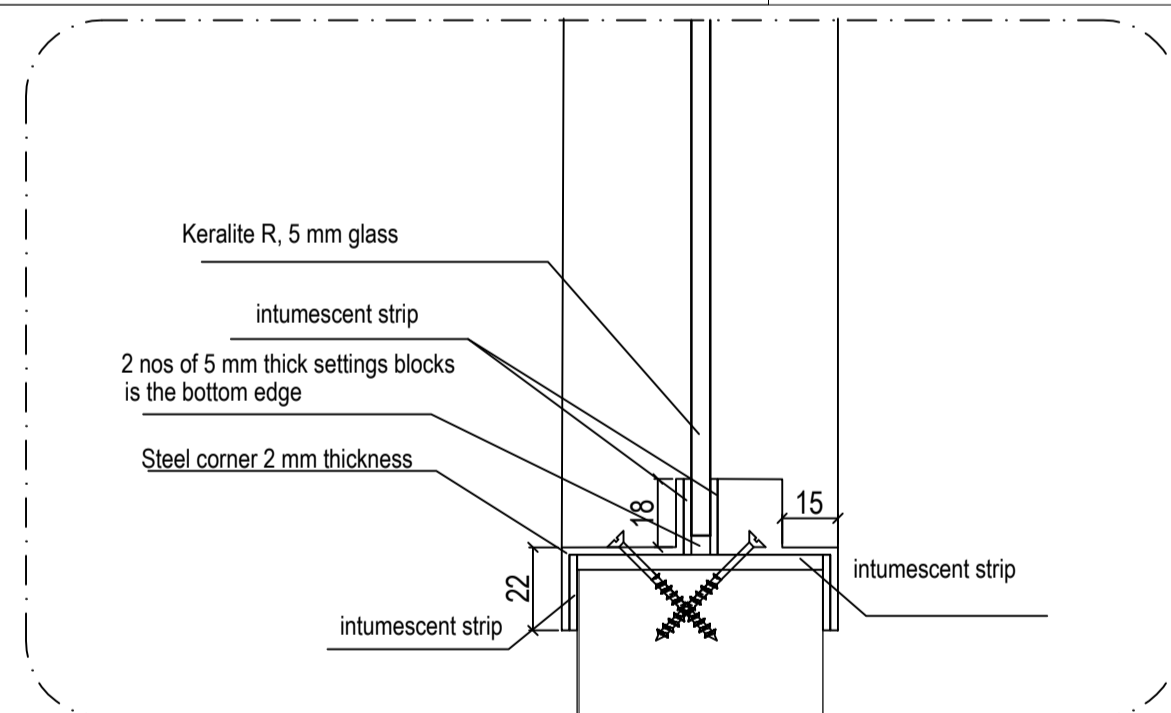
Section B-B
1:10 @ A1
Door Detail (NovABoarD FD 90 Mins)



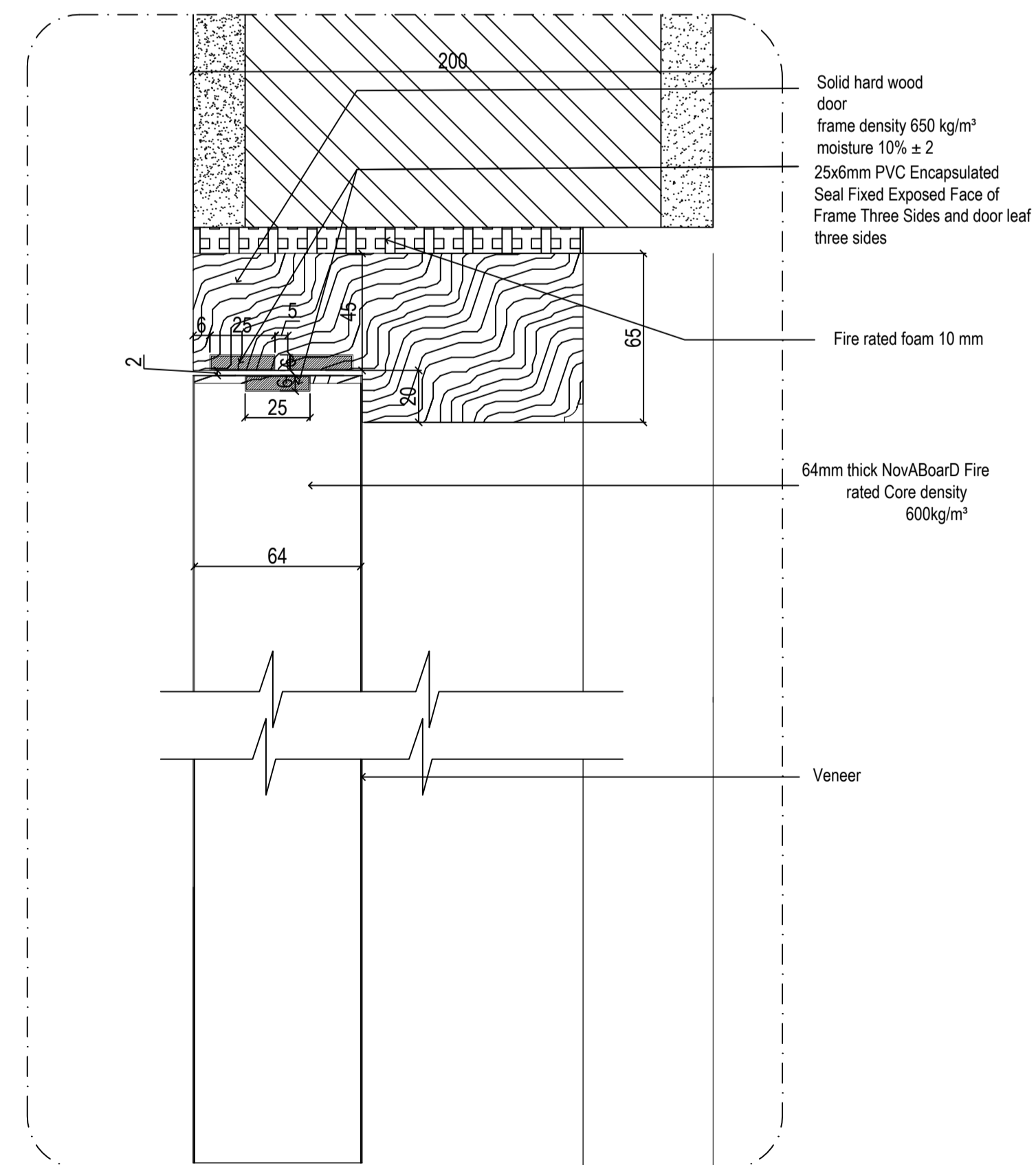
Detail 02
1:2 @ A1
Door Detail (NovABoarD FD 90 Mins)



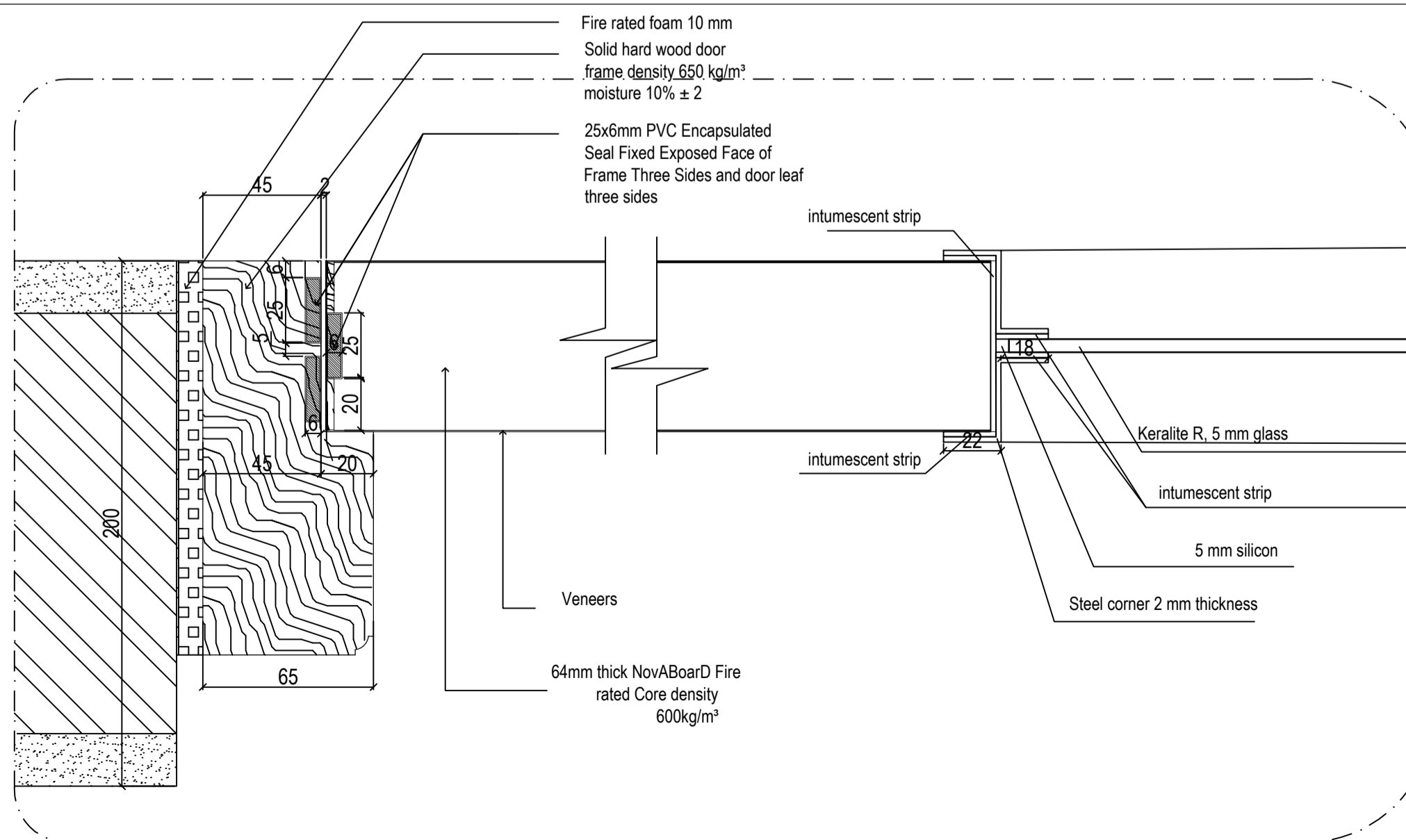
Section A-A
1:10 @ A1
Door Detail (NovABoarD FD 90 Mins)



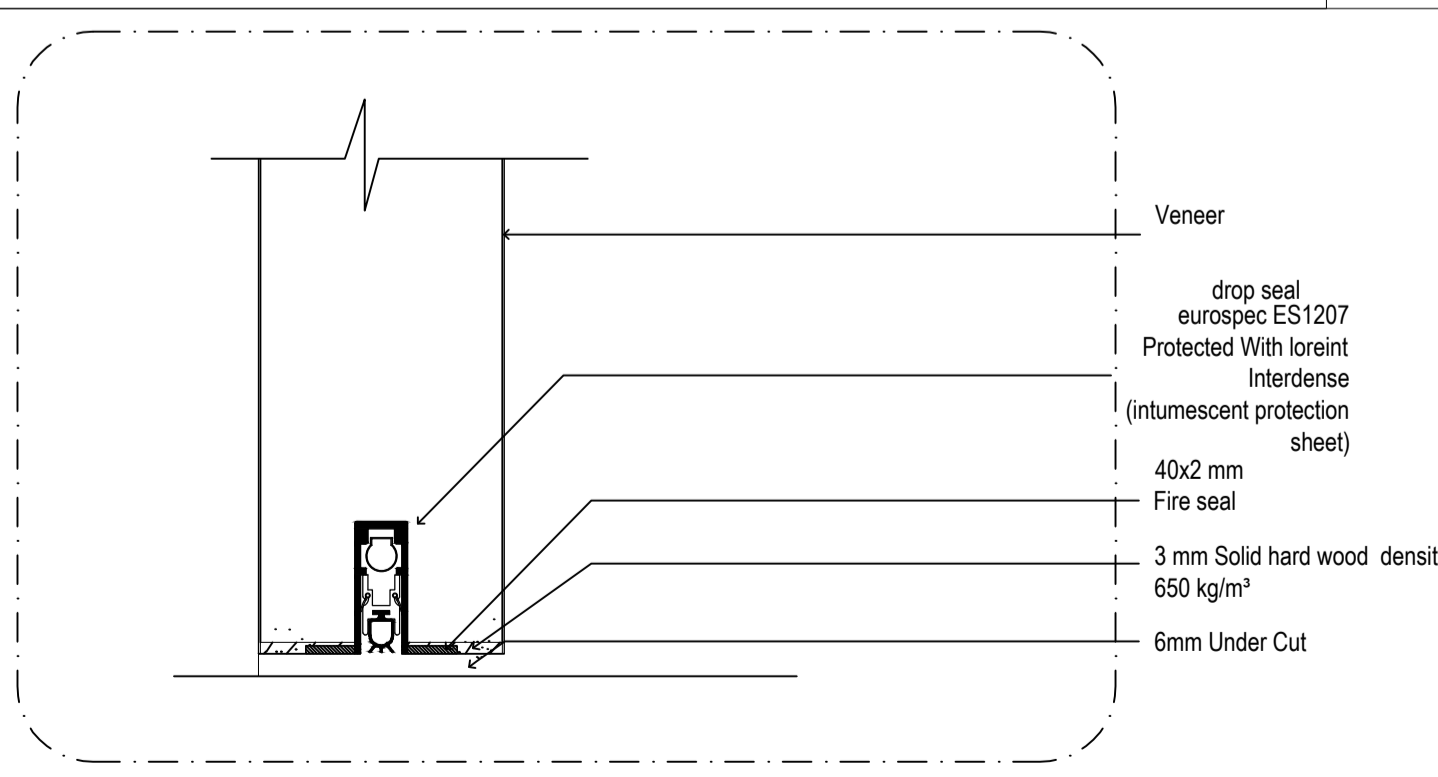
Detail 04
1:2 @ A1
Door Detail (NovABoarD FD 90 Mins)



Detail 01
1:2 @ A1
Door Detail (NovABoarD FD 90 Mins)



Detail 05
1:2 @ A1



Detail 03
1:2 @ A1
Door Detail (NovABoarD FD 90 Mins)

GENERAL NOTE:
1. ALL DIMENSIONS ARE IN MILLIMETERS & LEVELS ARE IN METERS UNLESS NOTED OTHERWISE.
2. ALL MEASUREMENTS ARE PER SITE CONDITION

SHOP DRAWING APPROVAL STATUS

A APPROVED B APPROVED AS NOTED
C REVISE AND RESUBMIT D NOT APPROVED

DISCIPLINE	ARCHITECT	CIVIL / STRUCTURAL ENGINEER	MECHANICAL / PLUMBING ENGINEER	ELECTRICAL ENGINEER	MEDICAL EQUIPMENT ENGINEER	OTHERS
NAME INITIALS						
SIGNATURE						
DATE						

64mm Fire Door FD90 Single Acting Single Door with vision panel



REV	DATE	DESCRIPTION	DRAWN	CHKD
REVISIONS				

GENERAL NOTES

Note 1 : Frame material - Hardwood ≥ 650 kg/m³ Density @ 10% m/c ± 2%
 Note 2 : Lipping material - Hard wood ≥ 650 kg/m³ Density @ 10% M/C ± 2%
 Note 3 : Under cut of door standardized for 6mm.
 Note 4 : 3 Intumescent seal 25x6 mm can be fitted on the frame and door leaf on 3 sides for fire rated doors.
 Note 5 : Glue line options for Lipping
 Note 6 : Finish can be Paint, Veneers & PVC, Plastic -Laminates, Decorative Paper (non metallic foil)
 Note 7 : Fixing method for door leaf using PU glue
 Note 8 : Glue : material :polyurethane adhesive /brand name fevicol 1K, PUR adhesive
 Note 9 : The intumescent protection sheet for hinges should be Mono ammonium phosphate dimension 30 X 101X 2 mm

DRAWN BY: LD	JOB No.:	DATE: 02/02/2016
CHECKED BY:	SCALE:	SHEET SIZE: A1
SHOP DRG. No.:	REVISION No.:	